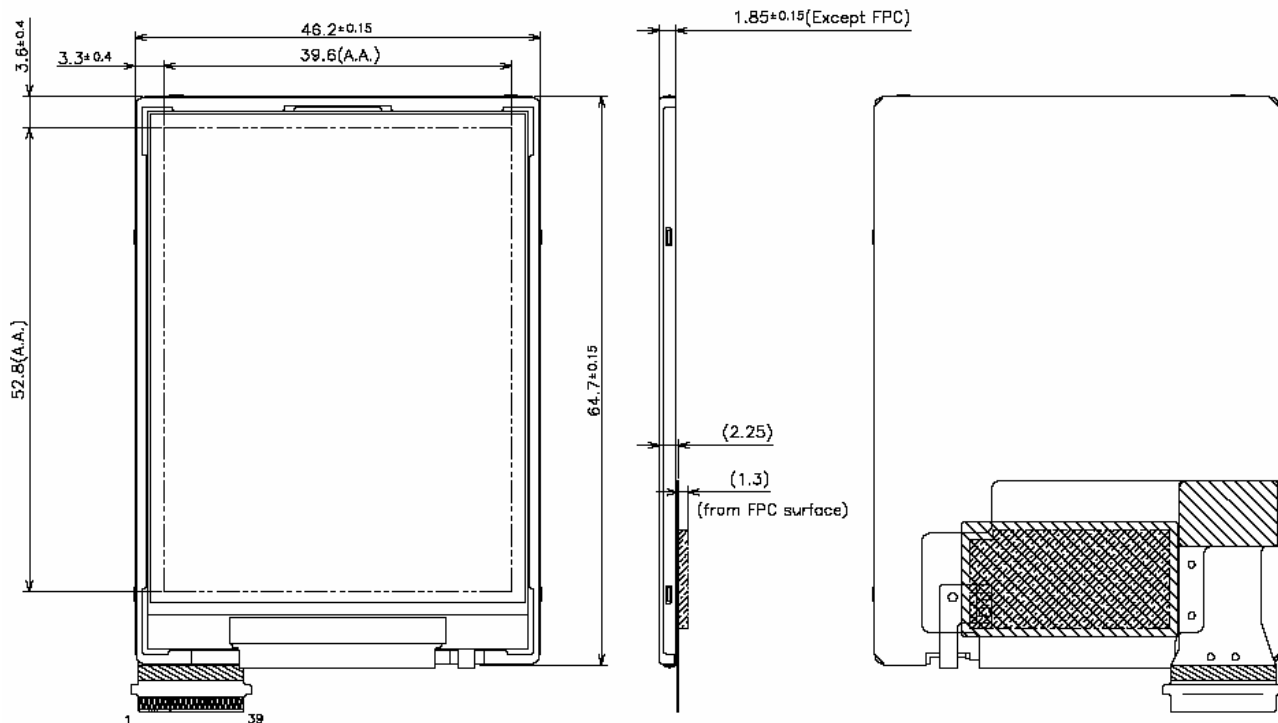


**$\alpha$ -TFT LCD Module (240x320 Portrait) "L5F30863\*\*"**

**FEATURES**

**2.6" LCD module with Transmissive Panel**



*Photo Fine Vistarich*

Items	Target Specifications	Unit
Dot format	240 x RGB x 320	dots
Display size	2.6	inch
Active area size	39.6 (W) x 52.8 (H)	mm
Pixel pitch	0.165 (W) x 0.165 (H)	
Module outline	46.2 (W) x 64.7 (H) x 1.85 (D) Typ. (Exclude FPC and Parts)	mm
Viewing angle	U / D : 80 / 80 , R / L : 80 / 80 ( CR>10 )	
Contrast	500	
Number of colors	262k	colors
Brightness	350 Typ. (4LEDs in series If=20mA)	cd/m <sup>2</sup>
NTSC ratio	55	%
Interface	RGB 18bit	
Notes		

Information in this document is subject to change without notice.

**EPSON IMAGING DEVICES CORPORATION**