

Specification

M190EG01_V0

Version September 2008

Contents

1. Handling Precautions	7
2. General Description	8
2.1 Display Characteristics	9
3. Functional Block Diagram	15
4. Absolute Maximum Ratings	16
4.1 Absolute Ratings of TFT LCD Module.....	16
4.2 Absolute Ratings of Backlight Unit	16
4.3 Absolute Ratings of Environment.....	16
5. Electrical characteristics	18
5.1 TFT LCD Module	18
5.2 Backlight Unit.....	19
6. Signal Characteristic	20
6.1 Pixel Format Image.....	20
6.2 The Input Data Format	21
6.4 Interface Timing.....	23
6.5 Power ON/OFF Sequence.....	25
7. Connector & Pin Assignment	26
7.1 TFT LCD Module	26
7.2 Backlight Unit.....	27
8. Reliability Test	28
9. Shipping Label	29
10. Mechanical Characteristic	30

Record of Revision

Version & Date	Page	Old Description	New Description	Remark																																																																																																					
0.1 2005/8/14	All	First Edition for Customer																																																																																																							
0.2 2005/9/06	6	Active Area 396 (H) x 324 (V)	Active Area 396.32 (H) x 301.056 (V)	Revised																																																																																																					
	6	Power Consumption TBD W(Typ)	Power Consumption 28 W(Typ)	Add																																																																																																					
	6	Weight 2,700(Max)	Weight 2,500 (Typ) ; 2,700(Max)	Add																																																																																																					
	7	Response time	Response time <table border="1" style="width: 100%; border-collapse: collapse;"> <tr> <td>Rising</td> <td style="text-align: center;">15</td> <td style="text-align: center;">25</td> </tr> <tr> <td>Falling</td> <td style="text-align: center;">5</td> <td style="text-align: center;">15</td> </tr> <tr> <td>Rising+ Falling</td> <td style="text-align: center;">20</td> <td style="text-align: center;">40</td> </tr> </table>	Rising	15	25	Falling	5	15	Rising+ Falling	20	40	Add																																																																																												
Rising	15	25																																																																																																							
Falling	5	15																																																																																																							
Rising+ Falling	20	40																																																																																																							
	16	5.2 Backlight Unit <table border="1" style="width: 100%; border-collapse: collapse;"> <tr> <td>CCFL Ignition Voltage (ViCFL, Ta= 0°C)</td> <td style="text-align: center;">1500</td> <td></td> <td></td> </tr> <tr> <td>CCFL Ignition Voltage (ViCF, Ta= 25°C)</td> <td style="text-align: center;">1160</td> <td></td> <td></td> </tr> <tr> <td>CCFL Operation Voltage (VCFL)</td> <td></td> <td style="text-align: center;">TBD</td> <td style="text-align: center;">TBD</td> </tr> <tr> <td>CCFL Power Consumption(PCFL)</td> <td></td> <td style="text-align: center;">TBD</td> <td style="text-align: center;">TBD</td> </tr> </table>	CCFL Ignition Voltage (ViCFL, Ta= 0°C)	1500			CCFL Ignition Voltage (ViCF, Ta= 25°C)	1160			CCFL Operation Voltage (VCFL)		TBD	TBD	CCFL Power Consumption(PCFL)		TBD	TBD	5.2 Backlight Unit <table border="1" style="width: 100%; border-collapse: collapse;"> <tr> <td>CCFL Ignition Voltage (ViCFL, Ta= 0°C)</td> <td style="text-align: center;">1690</td> <td></td> <td></td> </tr> <tr> <td>CCFL Ignition Voltage (ViCF, Ta= 25°C)</td> <td style="text-align: center;">1300</td> <td></td> <td></td> </tr> <tr> <td>CCFL Operation Voltage (VCFL)</td> <td></td> <td style="text-align: center;">653 @7.5 mA</td> <td style="text-align: center;">796 @ 3mA</td> </tr> <tr> <td>CCFL Power Consumption(PCFL)</td> <td></td> <td style="text-align: center;">19.6</td> <td style="text-align: center;">20.56</td> </tr> </table>	CCFL Ignition Voltage (ViCFL, Ta= 0°C)	1690			CCFL Ignition Voltage (ViCF, Ta= 25°C)	1300			CCFL Operation Voltage (VCFL)		653 @7.5 mA	796 @ 3mA	CCFL Power Consumption(PCFL)		19.6	20.56	Add																																																																					
CCFL Ignition Voltage (ViCFL, Ta= 0°C)	1500																																																																																																								
CCFL Ignition Voltage (ViCF, Ta= 25°C)	1160																																																																																																								
CCFL Operation Voltage (VCFL)		TBD	TBD																																																																																																						
CCFL Power Consumption(PCFL)		TBD	TBD																																																																																																						
CCFL Ignition Voltage (ViCFL, Ta= 0°C)	1690																																																																																																								
CCFL Ignition Voltage (ViCF, Ta= 25°C)	1300																																																																																																								
CCFL Operation Voltage (VCFL)		653 @7.5 mA	796 @ 3mA																																																																																																						
CCFL Power Consumption(PCFL)		19.6	20.56																																																																																																						
	20	6.4.1 Timing Characteristics <table border="1" style="width: 100%; border-collapse: collapse;"> <thead> <tr> <th>Signal</th> <th>Item</th> <th>Symbol</th> <th>Min</th> <th>Typ</th> <th>Max</th> <th>Unit</th> </tr> </thead> <tbody> <tr> <td rowspan="3">Vertical Section</td> <td>Period</td> <td>Tv</td> <td style="text-align: center;">1035</td> <td style="text-align: center;">-</td> <td style="text-align: center;">2048</td> <td>Th</td> </tr> <tr> <td>Active</td> <td>Tdisp(v)</td> <td style="text-align: center;">1024</td> <td style="text-align: center;">1024</td> <td style="text-align: center;">1024</td> <td>Th</td> </tr> <tr> <td>Blanking</td> <td>Tbp(v)+Tfp(v)+PWvs</td> <td style="text-align: center;">11</td> <td style="text-align: center;">-</td> <td style="text-align: center;">1024</td> <td>Th</td> </tr> <tr> <td rowspan="3">Horizontal Section</td> <td>Period</td> <td>Th</td> <td style="text-align: center;">720</td> <td style="text-align: center;">-</td> <td style="text-align: center;">1024</td> <td>Tclk</td> </tr> <tr> <td>Active</td> <td>Tdisp(h)</td> <td style="text-align: center;">640</td> <td style="text-align: center;">640</td> <td style="text-align: center;">640</td> <td>Tclk</td> </tr> <tr> <td>Blanking</td> <td>Tbp(h)+Tfp(h)+PWhs</td> <td style="text-align: center;">80</td> <td style="text-align: center;">-</td> <td style="text-align: center;">384</td> <td>Tclk</td> </tr> </tbody> </table>	Signal	Item	Symbol	Min	Typ	Max	Unit	Vertical Section	Period	Tv	1035	-	2048	Th	Active	Tdisp(v)	1024	1024	1024	Th	Blanking	Tbp(v)+Tfp(v)+PWvs	11	-	1024	Th	Horizontal Section	Period	Th	720	-	1024	Tclk	Active	Tdisp(h)	640	640	640	Tclk	Blanking	Tbp(h)+Tfp(h)+PWhs	80	-	384	Tclk	6.4.1 Timing Characteristics <table border="1" style="width: 100%; border-collapse: collapse;"> <thead> <tr> <th>Item</th> <th>Symbol</th> <th>Min</th> <th>Typ</th> <th>Max</th> <th>Unit</th> </tr> </thead> <tbody> <tr> <td>Data CLK</td> <td>Tclk</td> <td style="text-align: center;">30</td> <td style="text-align: center;">54</td> <td style="text-align: center;">83</td> <td>MHz</td> </tr> <tr> <td rowspan="3">H-section</td> <td>Period</td> <td>Th</td> <td style="text-align: center;">720</td> <td style="text-align: center;">844</td> <td style="text-align: center;">1024</td> <td>Tclk</td> </tr> <tr> <td>Display</td> <td>Tdisp(h)</td> <td style="text-align: center;">640</td> <td style="text-align: center;">640</td> <td style="text-align: center;">640</td> <td>Tclk</td> </tr> <tr> <td>Area</td> <td>)</td> <td></td> <td></td> <td></td> <td></td> </tr> <tr> <td rowspan="3">V-section</td> <td>Period</td> <td>Tv</td> <td style="text-align: center;">1035</td> <td style="text-align: center;">1066</td> <td style="text-align: center;">2048</td> <td>Th</td> </tr> <tr> <td>Display</td> <td>Tdisp(v)</td> <td style="text-align: center;">1024</td> <td style="text-align: center;">1024</td> <td style="text-align: center;">1024</td> <td>Th</td> </tr> <tr> <td>Area</td> <td>)</td> <td></td> <td></td> <td></td> <td></td> </tr> <tr> <td>Frame Rate</td> <td>F</td> <td style="text-align: center;">50</td> <td style="text-align: center;">60</td> <td style="text-align: center;">75</td> <td>Hz</td> </tr> </tbody> </table>	Item	Symbol	Min	Typ	Max	Unit	Data CLK	Tclk	30	54	83	MHz	H-section	Period	Th	720	844	1024	Tclk	Display	Tdisp(h)	640	640	640	Tclk	Area)					V-section	Period	Tv	1035	1066	2048	Th	Display	Tdisp(v)	1024	1024	1024	Th	Area)					Frame Rate	F	50	60	75	Hz	Revised
Signal	Item	Symbol	Min	Typ	Max	Unit																																																																																																			
Vertical Section	Period	Tv	1035	-	2048	Th																																																																																																			
	Active	Tdisp(v)	1024	1024	1024	Th																																																																																																			
	Blanking	Tbp(v)+Tfp(v)+PWvs	11	-	1024	Th																																																																																																			
Horizontal Section	Period	Th	720	-	1024	Tclk																																																																																																			
	Active	Tdisp(h)	640	640	640	Tclk																																																																																																			
	Blanking	Tbp(h)+Tfp(h)+PWhs	80	-	384	Tclk																																																																																																			
Item	Symbol	Min	Typ	Max	Unit																																																																																																				
Data CLK	Tclk	30	54	83	MHz																																																																																																				
H-section	Period	Th	720	844	1024	Tclk																																																																																																			
	Display	Tdisp(h)	640	640	640	Tclk																																																																																																			
	Area)																																																																																																							
V-section	Period	Tv	1035	1066	2048	Th																																																																																																			
	Display	Tdisp(v)	1024	1024	1024	Th																																																																																																			
	Area)																																																																																																							
Frame Rate	F	50	60	75	Hz																																																																																																				

Version & Date	Page	Old Description	New Description	Remark																																																																						
	23	6.5 Power ON/OFF Sequence <table border="1" style="width: 100%; border-collapse: collapse; margin-top: 5px;"> <thead> <tr> <th rowspan="2">Parameter</th> <th colspan="3">Value</th> </tr> <tr> <th>Min.</th> <th>Typ.</th> <th>Max.</th> </tr> </thead> <tbody> <tr><td>T1</td><td>0.5</td><td>-</td><td>10</td></tr> <tr><td>T2</td><td>0.5</td><td>40</td><td>50</td></tr> <tr><td>T3</td><td>200</td><td>-</td><td>-</td></tr> <tr><td>T4</td><td>100</td><td>-</td><td>-</td></tr> <tr><td>T5</td><td>0</td><td>16</td><td>50</td></tr> <tr><td>T6</td><td>-</td><td>-</td><td>10</td></tr> <tr><td>T7</td><td>1000</td><td>-</td><td>-</td></tr> </tbody> </table>	Parameter	Value			Min.	Typ.	Max.	T1	0.5	-	10	T2	0.5	40	50	T3	200	-	-	T4	100	-	-	T5	0	16	50	T6	-	-	10	T7	1000	-	-	6.5 Power ON/OFF Sequence <table border="1" style="width: 100%; border-collapse: collapse; margin-top: 5px;"> <thead> <tr> <th rowspan="2">Parameter</th> <th colspan="3">Value</th> </tr> <tr> <th>Min.</th> <th>Typ.</th> <th>Max.</th> </tr> </thead> <tbody> <tr><td>T1</td><td>0.5</td><td>-</td><td>10</td></tr> <tr><td>T2</td><td>0</td><td>-</td><td>50</td></tr> <tr><td>T3</td><td>0</td><td>-</td><td>50</td></tr> <tr><td>T4</td><td>500</td><td>-</td><td>-</td></tr> <tr><td>T5</td><td>200</td><td>-</td><td>-</td></tr> <tr><td>T6</td><td>200</td><td>-</td><td>-</td></tr> <tr><td>T7</td><td>1000</td><td>-</td><td>-</td></tr> </tbody> </table>	Parameter	Value			Min.	Typ.	Max.	T1	0.5	-	10	T2	0	-	50	T3	0	-	50	T4	500	-	-	T5	200	-	-	T6	200	-	-	T7	1000	-	-	revised
Parameter	Value																																																																									
	Min.	Typ.	Max.																																																																							
T1	0.5	-	10																																																																							
T2	0.5	40	50																																																																							
T3	200	-	-																																																																							
T4	100	-	-																																																																							
T5	0	16	50																																																																							
T6	-	-	10																																																																							
T7	1000	-	-																																																																							
Parameter	Value																																																																									
	Min.	Typ.	Max.																																																																							
T1	0.5	-	10																																																																							
T2	0	-	50																																																																							
T3	0	-	50																																																																							
T4	500	-	-																																																																							
T5	200	-	-																																																																							
T6	200	-	-																																																																							
T7	1000	-	-																																																																							
	24	7.2.1 Signal for Lamp connector <table border="1" style="width: 100%; border-collapse: collapse; margin-top: 5px;"> <thead> <tr> <th>Pin No.</th> <th>Input</th> <th>Color</th> </tr> </thead> <tbody> <tr><td>1</td><td>Hot1</td><td>Pink</td></tr> <tr><td>2</td><td>Cold1</td><td>White</td></tr> <tr><td>1</td><td>Hot2</td><td>Pink</td></tr> <tr><td>2</td><td>Cold2</td><td>White</td></tr> </tbody> </table>	Pin No.	Input	Color	1	Hot1	Pink	2	Cold1	White	1	Hot2	Pink	2	Cold2	White	7.2.1 Signal for Lamp connector <table border="1" style="width: 100%; border-collapse: collapse; margin-top: 5px;"> <thead> <tr> <th>Pin No.</th> <th>Input</th> <th>Color</th> </tr> </thead> <tbody> <tr><td>1</td><td>Hot1</td><td>Pink</td></tr> <tr><td>2</td><td>Cold1</td><td>Black</td></tr> <tr><td>1</td><td>Hot2</td><td>Blue</td></tr> <tr><td>2</td><td>Cold2</td><td>White</td></tr> </tbody> </table>	Pin No.	Input	Color	1	Hot1	Pink	2	Cold1	Black	1	Hot2	Blue	2	Cold2	White	Revised																																								
Pin No.	Input	Color																																																																								
1	Hot1	Pink																																																																								
2	Cold1	White																																																																								
1	Hot2	Pink																																																																								
2	Cold2	White																																																																								
Pin No.	Input	Color																																																																								
1	Hot1	Pink																																																																								
2	Cold1	Black																																																																								
1	Hot2	Blue																																																																								
2	Cold2	White																																																																								
0.3 2005/10/24	16	Logic/LCD Drive Voltage Load Capacitance 20uF	Logic/LCD Drive Voltage ±10%	Revised																																																																						
	16	IDD(Input Current) Typ =TBD Max=TBD	IDD(Input Current) Typ =1.5A Max=1.7A	Modified																																																																						
	16	PDD(VDD Power) Typ =TBD Max=TBD	PDD(VDD Power) Typ =7.5W Max=9.0W	Modified																																																																						
	16	Irush(Inrush Current) Max=TBD	Irush(Inrush Current) Max=3.0A	Modified																																																																						
	16	Note 2: Measurement conditions: VDD rising time 0.5ms	Note 2: Measurement conditions: VDD rising time 470 us	Modified																																																																						
	23	6.5 Power ON/OFF Sequence <table border="1" style="width: 100%; border-collapse: collapse; margin-top: 5px;"> <thead> <tr> <th rowspan="2">Parameter</th> <th colspan="3">Value</th> </tr> <tr> <th>Min.</th> <th>Typ.</th> <th>Max.</th> </tr> </thead> <tbody> <tr><td>T1</td><td>0.5</td><td>-</td><td>10</td></tr> <tr><td>T2</td><td>0</td><td>-</td><td>50</td></tr> <tr><td>T3</td><td>0</td><td>-</td><td>50</td></tr> <tr><td>T4</td><td>500</td><td>-</td><td>-</td></tr> <tr><td>T5</td><td>200</td><td>-</td><td>-</td></tr> <tr><td>T6</td><td>200</td><td>-</td><td>-</td></tr> <tr><td>T7</td><td>1000</td><td>-</td><td>-</td></tr> </tbody> </table>	Parameter	Value			Min.	Typ.	Max.	T1	0.5	-	10	T2	0	-	50	T3	0	-	50	T4	500	-	-	T5	200	-	-	T6	200	-	-	T7	1000	-	-	6.5 Power ON/OFF Sequence <table border="1" style="width: 100%; border-collapse: collapse; margin-top: 5px;"> <thead> <tr> <th rowspan="2">Parameter</th> <th colspan="3">Value</th> </tr> <tr> <th>Min.</th> <th>Typ.</th> <th>Max.</th> </tr> </thead> <tbody> <tr><td>T1</td><td>0.5</td><td>-</td><td>10</td></tr> <tr><td>T2</td><td>0</td><td>-</td><td>50</td></tr> <tr><td>T3</td><td>200</td><td>-</td><td>-</td></tr> <tr><td>T4</td><td>200</td><td>-</td><td>-</td></tr> <tr><td>T5</td><td>0</td><td>16</td><td>50</td></tr> <tr><td>T6</td><td>-</td><td>-</td><td>10</td></tr> <tr><td>T7</td><td>500</td><td>-</td><td>-</td></tr> </tbody> </table>	Parameter	Value			Min.	Typ.	Max.	T1	0.5	-	10	T2	0	-	50	T3	200	-	-	T4	200	-	-	T5	0	16	50	T6	-	-	10	T7	500	-	-	Revised
Parameter	Value																																																																									
	Min.	Typ.	Max.																																																																							
T1	0.5	-	10																																																																							
T2	0	-	50																																																																							
T3	0	-	50																																																																							
T4	500	-	-																																																																							
T5	200	-	-																																																																							
T6	200	-	-																																																																							
T7	1000	-	-																																																																							
Parameter	Value																																																																									
	Min.	Typ.	Max.																																																																							
T1	0.5	-	10																																																																							
T2	0	-	50																																																																							
T3	200	-	-																																																																							
T4	200	-	-																																																																							
T5	0	16	50																																																																							
T6	-	-	10																																																																							
T7	500	-	-																																																																							

Version & Date	Page	Old Description	New Description	Remark
0.4 2005/11/7	8	2.1 Display Characteristics Contrast Ratio: 1000:1(typ)	2.1 Display Characteristics Contrast Ratio: 1300:1(typ)	
		2.2 Optical Characteristics Contrast Ratio: 1000:1(typ) 700:1 (min)	2.2 Optical Characteristics Contrast Ratio: 1300:1(typ) 1000:1 (min)	
0.5 2005/12/27	15	5.1.1 Power Specification IDD(Input Current): Max=1.7	5.1.1 Power Specification IDD(Input Current): Max=1.8	Revised
	15	5.1.1 Power Specification Irush(Inrush Current): Tpy= -	5.1.1 Power Specification Irush(Inrush Current): Tpy= 2	Added
	16	5.1.1 Power Specification VDDrp description	5.1.1 Power Specification Delete VDDrp description	Revised
	29	10. Mechanical Characteristics	10. Mechanical Characteristics 2D drawing updated	Revised
0.6 2006/11/6	9	2.1 Display Characteristics Weight:2,500 (Typ) ; 2,700(Max)	2.1 Display Characteristics Weight:2,700(Max)	Revised
	12	Note 5: Definition of Cross Talk (CT) 	Note 5: Definition of Cross Talk (CT) 	Revised
	18	5.1.1 Power Specification Condition: VDD= 5.0V, All Black Pattern At 75Hz	5.1.1 Power Specification Condition: VDD= 5.0V, All White Pattern At 75Hz	Revised
	19	5.2 Backlight Unit Note 7: Definition of life: brightness becomes 50% or less than the minimum luminance value of CCFL.	5.2 Backlight Unit Note 7: Definition of life: brightness becomes 50%.	Revised

	30	10. Mechanical Characteristics	10. Mechanical Characteristics 2D drawing updated	Revised
1.0 2007/04/6	20	6.1 Pixel Format Image	Drawing revised	Revised
1.1 2008/3/6	29	9. Shipping Label	9. Add China RoHS mark on shipping label	Added

1. Handling Precautions

- 1) Since front polarizer is easily damaged, pay attention not to scratch it.
- 2) Be sure to turn off power supply when inserting or disconnecting from input connector.
- 3) Wipe off water drop immediately. Long contact with water may cause discoloration or spots.
- 4) When the panel surface is soiled, wipe it with absorbent cotton or other soft cloth.
- 5) Since the panel is made of glass, it may break or crack if dropped or bumped on hard surface.
- 6) Since CMOS LSI is used in this module, take care of static electricity and insure human earth when handling.
- 7) Do not open or modify the Module Assembly.
- 8) Do not press the reflector sheet at the back of the module to any directions.
- 9) In case if a Module has to be put back into the packing container slot after once it was taken out from the container, do not press the center of the CCFL reflector edge. Instead, press at the far ends of the CCFL Reflector edge softly. Otherwise the TFT Module may be damaged.
- 10) At the insertion or removal of the Signal Interface Connector, be sure not to rotate nor tilt the Interface Connector of the TFT Module.
- 11) After installation of the TFT Module into an enclosure, do not twist nor bend the TFT Module even momentary. At designing the enclosure, it should be taken into consideration that no bending/twisting forces are applied to the TFT Module from outside. Otherwise the TFT Module may be damaged.
- 12) Cold cathode fluorescent lamp in LCD contains a small amount of mercury. Please follow local ordinances or regulations for disposal.
- 13) Small amount of materials having no flammability grade is used in the LCD module. The LCD module should be supplied by power complied with requirements of Limited Power Source (IEC60950 or UL1950), or be applied exemption.
- 14) The LCD module is designed so that the CCFL in it is supplied by Limited Current Circuit (IEC60950 or UL1950). Do not connect the CCFL in Hazardous Voltage Circuit.

2. General Description

M190EG01 V0 is a Color Active Matrix Liquid Crystal Display composed of a TFT-LCD panel, a driver circuit, and backlight system. The screen format is intended to support the SXGA (1280(H) x 1024(V)) screen and 16.7M colors (RGB 8-bits data). All input signals are LVDS interface compatible. Inverter card of backlight is not included. M190EG01 V0 is designed for a display unit of personal computer.

2.1 Display Characteristics

The following items are characteristics summary on the table under 25 °C condition:

Items	Unit	Specifications
Screen Diagonal	[mm]	482.6 (19.0")
Active Area	[mm]	376.32 (H) x 301.056 (V)
Pixels H x V		1280(x3) x 1024
Pixel Pitch	[mm]	0.294 (per one triad) x 0.294
Pixel Arrangement		R.G.B. Vertical Stripe
Display Mode		Normally Black
White Luminance	[cd/m ²]	300 (center, Typ) @ 7.5mA
Contrast Ratio		1300 : 1 (Typ)
Optical ResponseTime	[msec]	8ms GTG (Avg. Typ.); 20 ms(Typ, on/off)
Nominal Input Voltage VDD	[Volt]	+5.0 V
Power Consumption	[Watt]	28 W (Typ) (w/o Inverter, All white pattern)
Weight	[Grams]	2700 (Max)
Physical Size (H x V x D)	[mm]	396 (H) x 324 (V) x 17.5 (D) (Typ)
Electrical Interface		Dual channel LVDS
Surface Treatment		Hard-coating (3H), Non-Glare treatment
Support Color		16.7M colors (RGB 8-bit data)
Temperature Range		
Operating	[°C]	0 to +50
Storage (Non-Operating)	[°C]	-20 to +60
RoHS Compliance		RoHS Compliance

2.2 Optical Characteristics

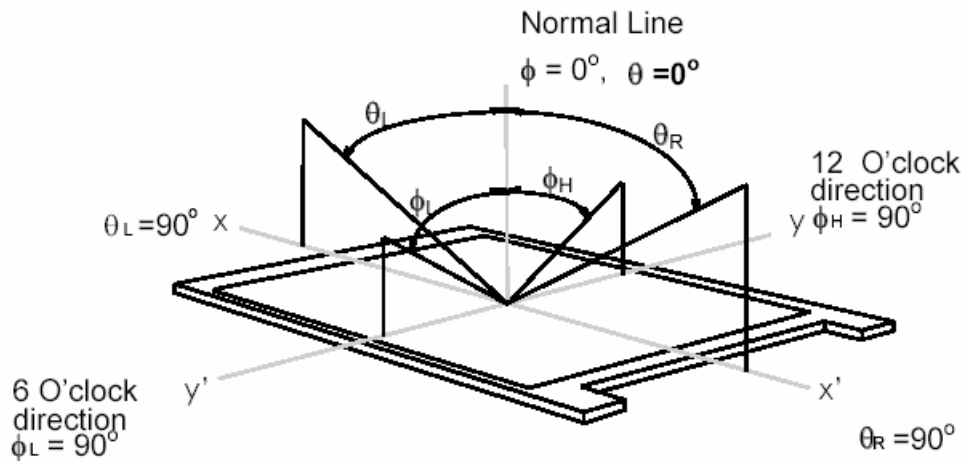
The optical characteristics are measured under stable conditions at 25°C (Room Temperature):

Item	Unit	Conditions	Min.	Typ.	Max.	Note
Viewing Angle	[degree]	Horizontal (Right) CR = 10 (Left)	75 75	89 89	-	1
		Vertical (Up) CR = 10 (Down)	75 75	89 89	-	
Luminance Uniformity	[%]	9 Points	75	80	-	2, 3
Response time	[msec]	Rising		15	25	4,6
		Falling		5	15	4,6
		Rising + Falling		20	40	4,6
		Grey to Grey (Avg.)	-	8	16	4,6
Color / Chromaticity Coordinates (CIE 1931)		Red x	0.617	0.647	0.677	4
		Red y	0.31	0.34	0.37	
		Green x	0.263	0.293	0.323	
		Green y	0.571	0.601	0.641	
		Blue x	0.112	0.142	0.172	
		Blue y	0.037	0.067	0.099	
		White x	0.283	0.313	0.34	
White y	0.299	0.329	0.359			
White Luminance (At CCFL= 7.5mA)	[cd/m ²]		240	300	-	4
Contrast Ratio			1000	1300	-	4
Cross Talk (At 75Hz)	[%]		-	-	1.5	5
Flicker	[dB]		-	-	-20	7

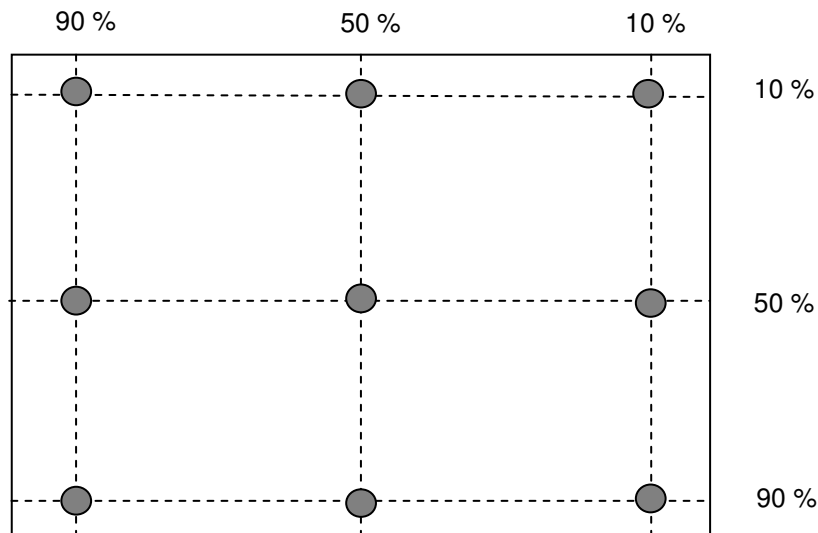
Optical Equipment: BM-5A, PR880, SR3, CS1000 or equivalent.

Note 1: Definition of viewing angle

Viewing angle is the measurement of contrast ratio ≥ 10 , at the screen center, over a 180° horizontal and 180° vertical range (off-normal viewing angles). The 180° viewing angle range is broken down as follows; 90° (θ) horizontal left and right and 90° (Φ) vertical, high (up) and low (down). The measurement direction is typically perpendicular to the display surface with the screen rotated about its center to develop the desired measurement viewing angle.



Note 2: 9 points position

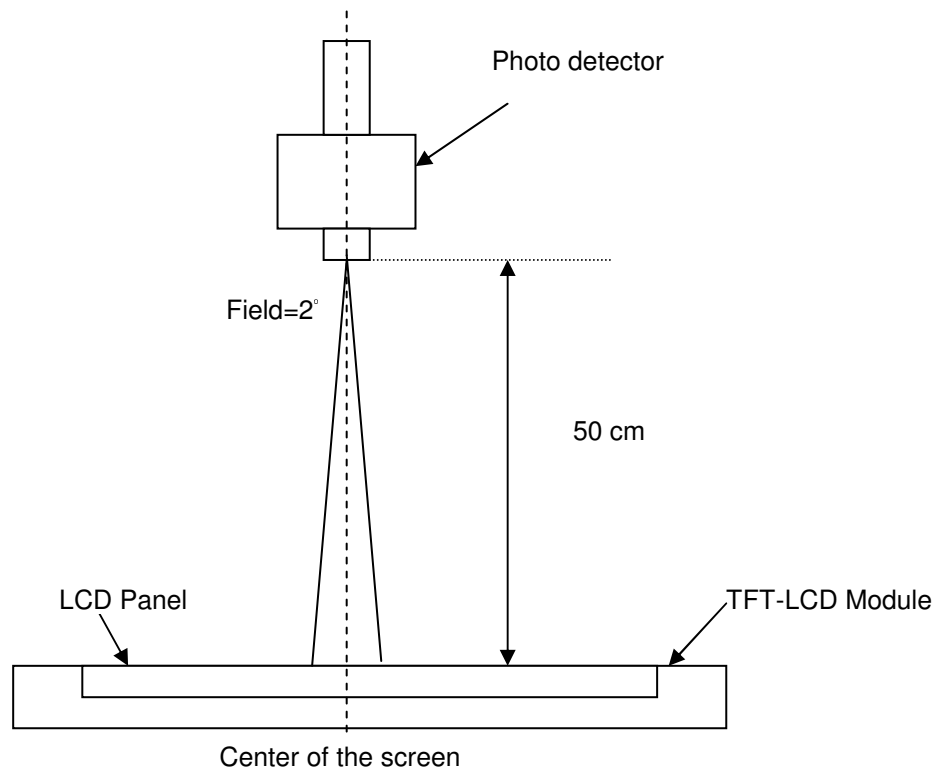


Note 3: The luminance uniformity of 9 points is defined by dividing the maximum luminance values by the minimum test point luminance

$$\delta_{w9} = \frac{\text{Minimum Luminance of 9 points}}{\text{Maximum Luminance of 9 points}}$$

Note 4: Measurement method

The LCD module should be stabilized at given temperature for 30 minutes to avoid abrupt temperature change during measuring. In order to stabilize the luminance, the measurement should be executed after lighting Backlight for 30 minutes in a stable, windless and dark room.



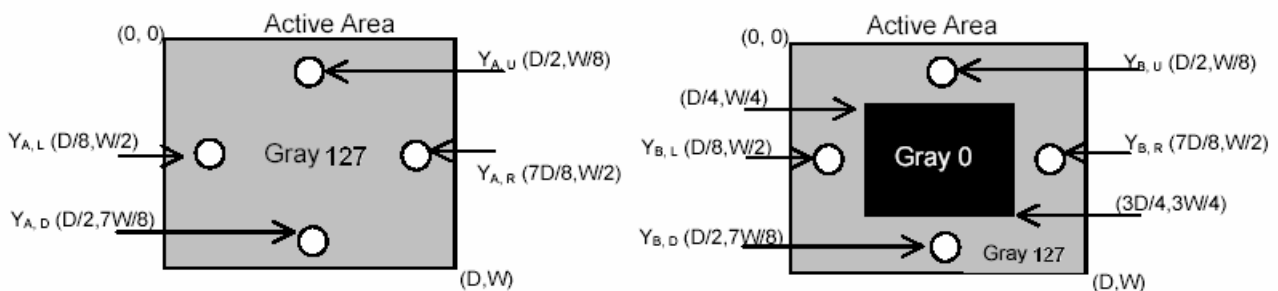
Note 5: Definition of Cross Talk (CT)

$$CT = | YB - YA | / YA \times 100 (\%)$$

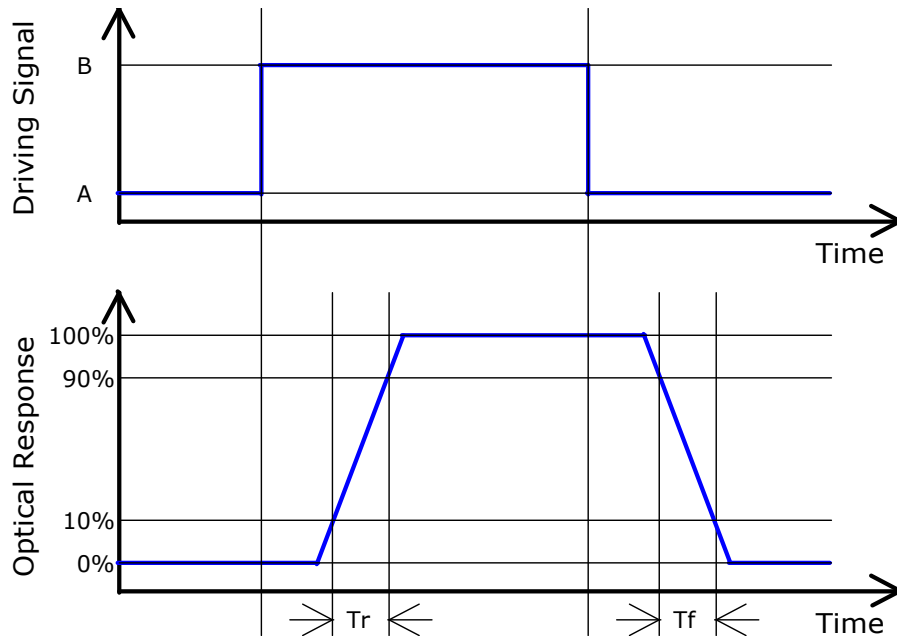
Where

YA = Luminance of measured location without gray level 0 pattern (cd/m2)

YB = Luminance of measured location with gray level 0 pattern (cd/m2)



Note 6: Definition of response time:

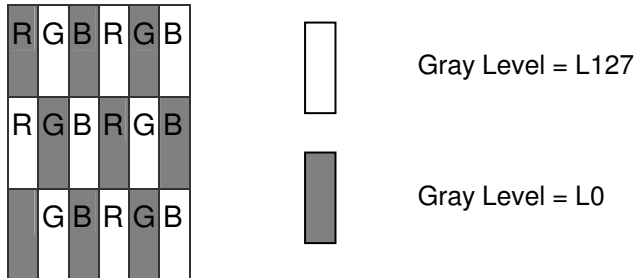


Algorithm:

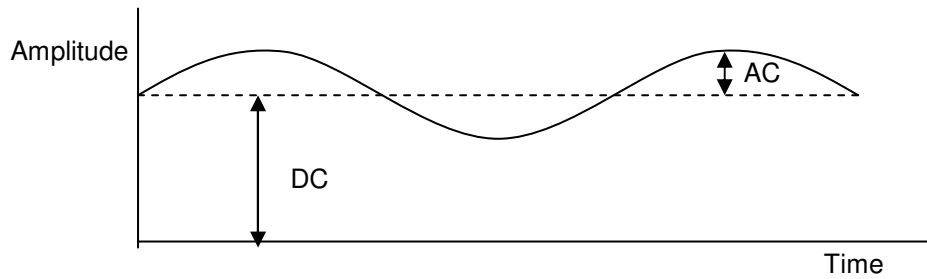
$|\text{Level A} - \text{Level B}| \geq 16$ then the average of Grey-to-Grey response time is 8ms. ($F = 60$ Hz).

T_{rR} (rising time; from "All Black" to "All White") + T_{rF} (Falling time; from "All White" to "All Black") = 20ms(typ).

Note 7: Subchecker Pattern



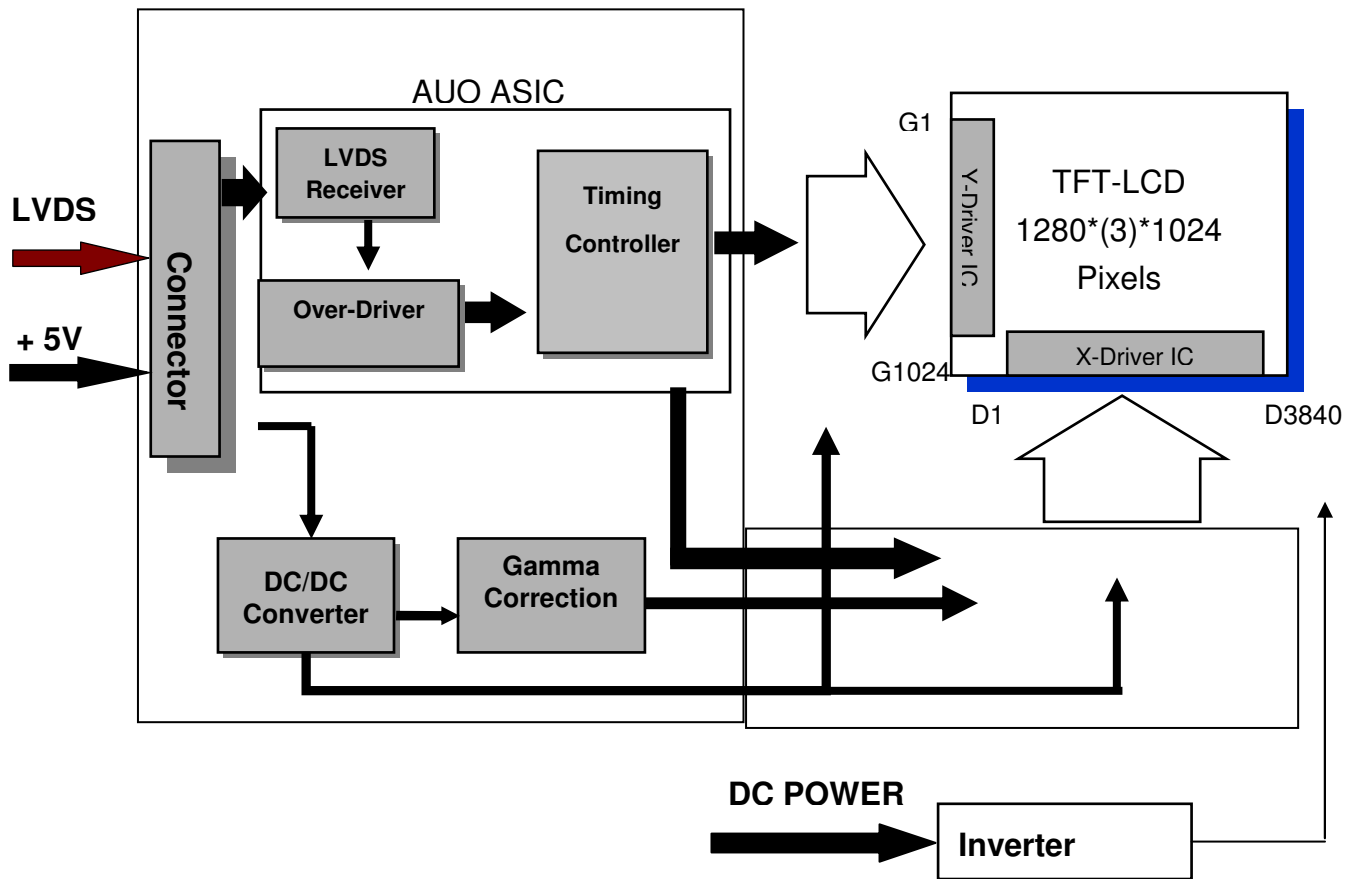
Method: Record dBV & DC value with (WESTAR)TRD-100



$$\text{Flicker (dB)} = 20 \log \frac{\text{AC Level(at 30 Hz)}}{\text{DC Level}}$$

3. Functional Block Diagram

The following diagram shows the functional block of the 19.0 inches Color TFT-LCD Module:



4. Absolute Maximum Ratings

Absolute maximum ratings of the module is as following:

4.1 Absolute Ratings of TFT LCD Module

Item	Symbol	Min.	Max.	Unit	Conditions
Logic/LCD Drive Voltage	VDD	-0.3	+6	[Volt]	Note 1, 2

4.2 Absolute Ratings of Backlight Unit

Item	Symbol	Min.	Max.	Unit	Conditions
CCFL Current	ICFL	-	8	[mA] rms	Note 1, 2

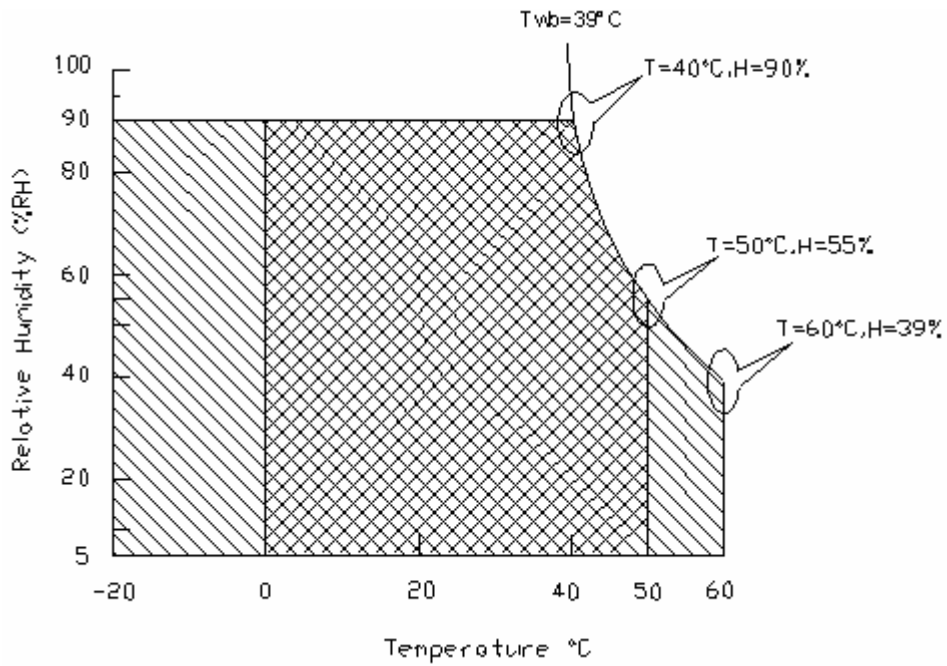
4.3 Absolute Ratings of Environment

Item	Symbol	Min.	Max.	Unit	Conditions
Operating Temperature	TOP	0	+50	[°C]	Note 3
Operation Humidity	HOP	5	90	[%RH]	
Storage Temperature	TST	-20	+60	[°C]	
Storage Humidity	HST	5	90	[%RH]	

Note 1: With in $T_a = 25^\circ\text{C}$

Note 2: Permanent damage to the device may occur if exceed maximum values

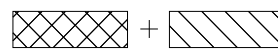
Note 3: For quality performance, please refer to AUO IIS (Incoming Inspection Standard).



Operating Range



Storage Range



5. Electrical characteristics

5.1 TFT LCD Module

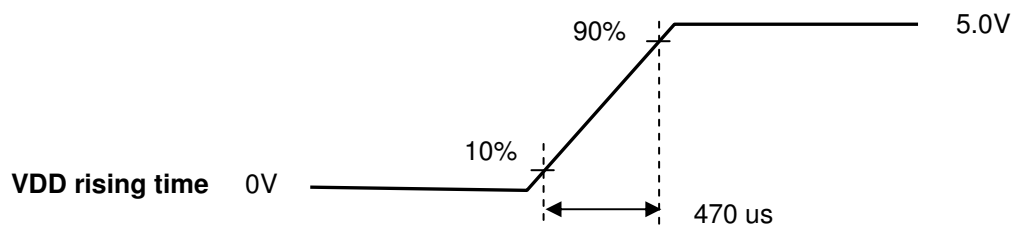
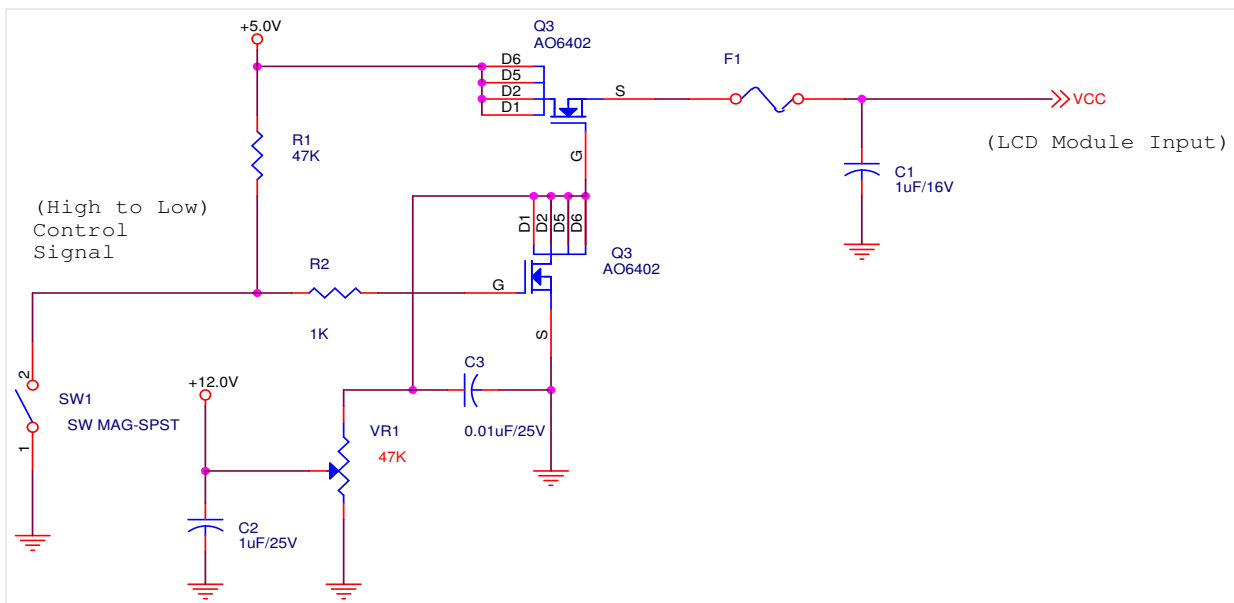
5.1.1 Power Specification

Input power specifications are as follows:

Symble	Parameter	Min.	Typ.	Max.	Unit	Condition
VDD	Logic/LCD Drive Voltage	4.5	5.0	5.5	[Volt]	±10%
IDD	Input Current	-	1.50	1.80	[A]	VDD= 5.0V, All White Pattern At 75Hz
PDD	VDD Power	-	7.5	9.0	[Watt]	VDD= 5.0V, All White Pattern At 75Hz , Note 1
IRush	Inrush Current	-	2	3	[A]	Note 2

Note 1: The variance of VDD power consumption is ±10%.

Note 2: Measurement conditions:



5.2 Backlight Unit

Parameter guideline for CCFL Inverter is under stable conditions at 25°C (Room Temperature):

Parameter	Min.	Typ.	Max.	Unit	Condition
CCFL Standard Current(ISCFL)	7.0	7.5	8.0	[mA] rms	Note 2
CCFL Operation Current(IRCFL)	3.0	7.5	8.0	[mA] rms	Note 2
CCFL Frequency(FCFL)	40	60	80	[KHz]	Note 3,4
CCFL Ignition Voltage(ViCFL, Ta= 0°C)	1690	-	-	[Volt] rms	Note 5
CCFL Ignition Voltage(ViCF, Ta= 25°C)	1300	-	-	[Volt] rms	
CCFL Operation Voltage (VCFL)	-	653 @7.5mA	796 @3mA	[Volt] rms	Note 6
CCFL Power Consumption(PCFL)	-	19.6	20.56	[Watt]	Note 6
CCFL Life Time(LTCFL)	40,000	50,000	-	[Hour]	Note 7

Note 1: Typ. are AUO recommended design points.

- *1 All of characteristics listed are measured under the condition using the AUO test inverter.
- *2 In case of using an inverter other than listed, it is recommended to check the inverter carefully. Sometimes, interfering noise stripes appear on the screen, and substandard luminance or flicker at low power may happen.
- *3 In designing an inverter, it is suggested to check safety circuit very carefully. Impedance of CCFL, for instance, becomes more than 1 [M ohm] when CCFL is damaged.
- *4 Generally, CCFL has some amount of delay time after applying kick-off voltage. It is recommended to keep on applying kick-off voltage for 1 [Sec] until discharge.
- *5 Reducing CCFL current increases CCFL discharge voltage and generally increases CCFL discharge frequency. So all the parameters of an inverter should be carefully designed so as not to produce too much leakage current from high-voltage output of the inverter.

Note 2: CCFL standard current is measured at 25±2°C.

Note 3: CCFL discharge frequency should be carefully determined to avoid interference between inverter and TFT LCD.

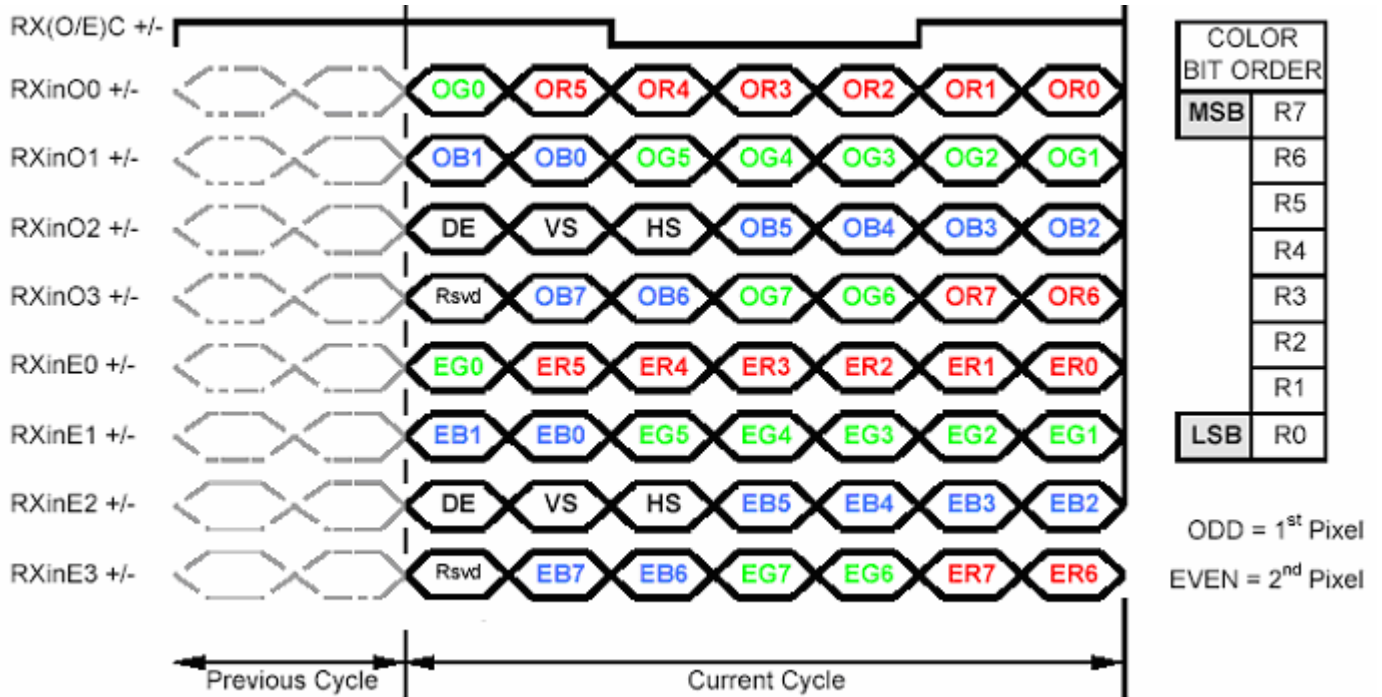
Note 4: The frequency range will not affect to lamp life and reliability characteristics.

Note 5: CCFL inverter should be able to give out a power that has a generating capacity of over 1,690 voltage. Lamp units need 1,690 voltage minimum for ignition.

Note 6: The variance of CCFL power consumption is ±10%. Calculator value for reference (ISCFL × VCFL × 4 = PCFL)

Note 7: Definition of life: brightness becomes 50%. The typical life time of CCFL is on the condition at 7.5 mA lamp current.

6.2 The Input Data Format



Note1: Normally, DE, VS, HS on EVEN channel are not used.

Note2: Please follow PSWG.

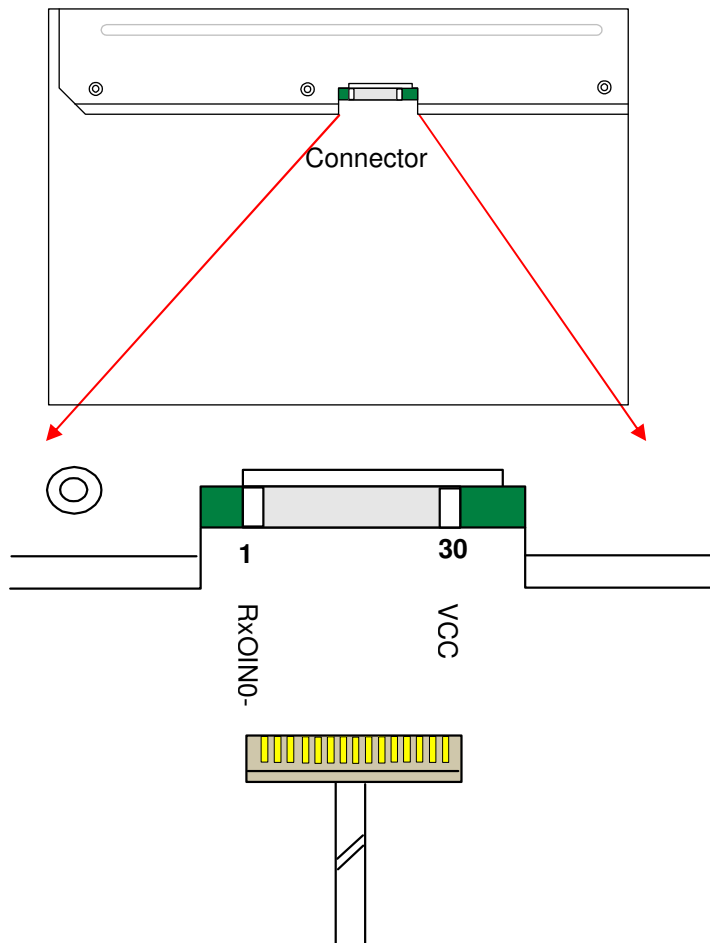
Note3: 8-bit in

6.3 Signal Description

The module using a pair of LVDS receiver SN75LVDS82(Texas Instruments) or compatible. LVDS is a differential signal technology for LCD interface and high speed data transfer device. Transmitter shall be SN75LVDS83(negative edge sampling) or compatible. The first LVDS port(RxOxxx) transmits odd pixels while the second LVDS port(RxExxx) transmits even pixels.

PIN #	SIGNAL NAME	DESCRIPTION
1	RxOIN0-	Negative LVDS differential data input (Odd data)
2	RxOIN0+	Positive LVDS differential data input (Odd data)
3	RxOIN1-	Negative LVDS differential data input (Odd data)
4	RxOIN1+	Positive LVDS differential data input (Odd data)
5	RxOIN2-	Negative LVDS differential data input (Odd data, H-Sync,V-Sync,DSPTMG)
6	RxOIN2+	Positive LVDS differential data input (Odd data, H-Sync,V-Sync,DSPTMG)
7	VSS	Power Ground
8	RxOCLKIN-	Negative LVDS differential clock input (Odd clock)
9	RxOCLKIN+	Positive LVDS differential clock input (Odd clock)
10	RxOIN3-	Negative LVDS differential data input (Odd data)
11	RxOIN3+	Positive LVDS differential data input (Odd data)
12	RxEIN0-	Negative LVDS differential data input (Even data)
13	RxEIN0+	Positive LVDS differential data input (Even data)
14	VSS	Power Ground
15	RxEIN1-	Negative LVDS differential data input (Even data)
16	RxEIN1+	Positive LVDS differential data input (Even data)
17	VSS	Power Ground
18	RxEIN2-	Negative LVDS differential data input (Even data)
19	RxEIN2+	Positive LVDS differential data input (Even data)
20	RxECLKIN-	Negative LVDS differential clock input (Even clock)
21	RxECLKIN+	Positive LVDS differential clock input (Even clock)
22	RxEIN3-	Negative LVDS differential data input (Even data)
23	RxEIN3+	Positive LVDS differential data input (Even data)
24	VSS	Power Ground
25	VSS	Power Ground
26	NC	No Connection (for AUO test)
27	VSS	Power Ground
28	VCC	+5.0V Power Supply
29	VCC	+5.0V Power Supply
30	VCC	+5.0V Power Supply

Note1: Start from left side



Note2: Input signals of odd and even clock shall be the same timing.

Note3: Please follow PSWG.

6.4 Interface Timing

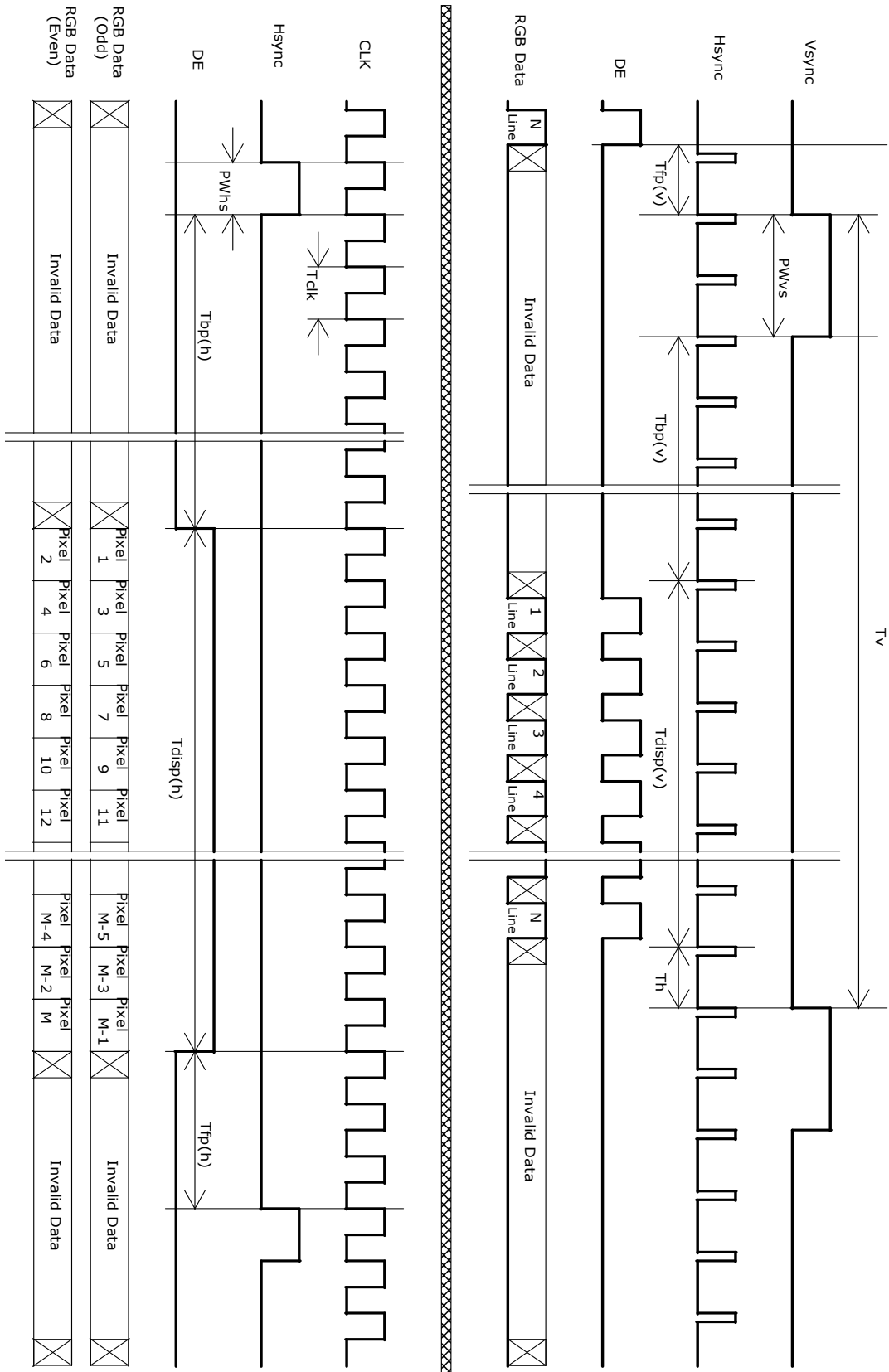
6.4.1 Timing Characteristics

Basically, interface timings described here is not actual input timing of LCD module but output timing of SN75LVDS82DGG (Texas Instruments) or equivalent.

Item	Symbol	Min	Typ	Max	Unit
Data CLK	Tclk	30	54	83	MHz
H-section	Period	Th	720	844	Tclk
	Display Area	Tdisp(h)	640	640	640
V-section	Period	Tv	1035	1066	Th
	Display Area	Tdisp(v)	1024	1024	1024
Frame Rate	F	50	60	75	Hz

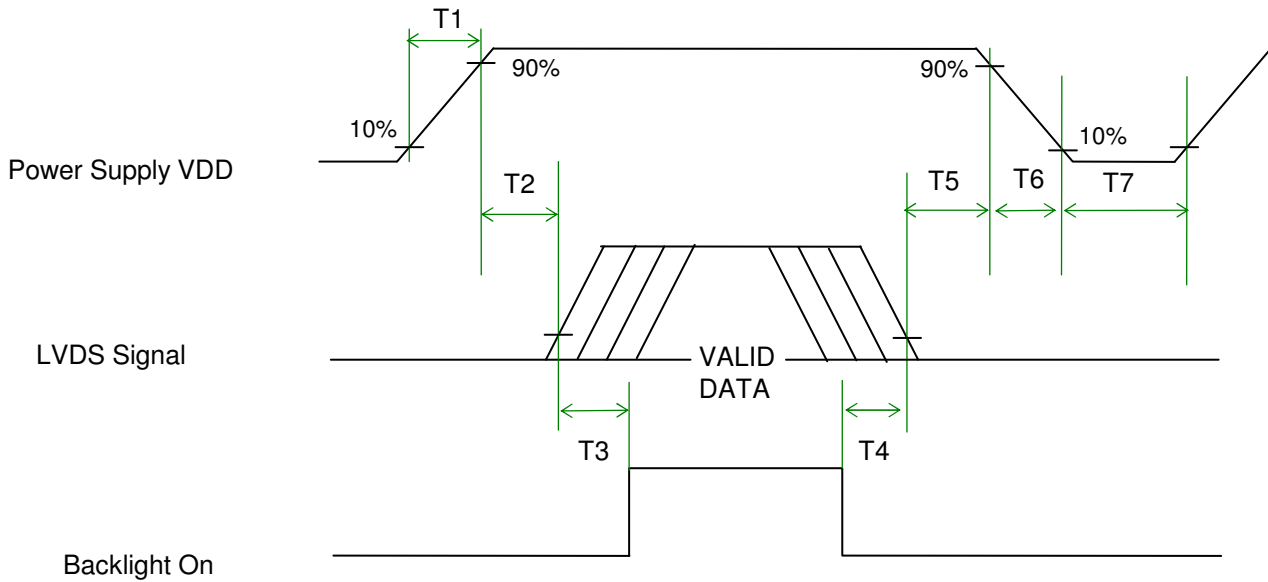
Note : DE mode only

6.4.2 Timing Diagram



6.5 Power ON/OFF Sequence

VDD power and lamp on/off sequence is as follows. Interface signals are also shown in the chart. Signals from any system shall be Hi-Z state or low level when VDD is off.



Power Sequence Timing

Parameter	Value			Unit
	Min.	Typ.	Max.	
T1	0.5	-	10	[ms]
T2	0	-	50	[ms]
T3	200	-	-	[ms]
T4	200	-	-	[ms]
T5	0	16	50	[ms]
T6	-	-	10	[ms]
T7	500	-	-	[ms]

Note: The values of the table are follow PSWG.

7. Connector & Pin Assignment

Physical interface is described as for the connector on module. These connectors are capable of accommodating the following signals and will be following components.

7.1 TFT LCD Module

7.1.1 Connector

Connector Name / Designation	Interface Connector / Interface card
Manufacturer	JAE or compatible
Type Part Number	FI-XB30SSL-HF15
Mating Housing Part Number	FI-X30HL

7.1.2 Pin Assignment

Pin#	Signal Name	Pin#	Signal Name
1	RxOIN0-	2	RxOIN0+
3	RxOIN1-	4	RxOIN1+
5	RxOIN2-	6	RxOIN2+
7	VSS	8	RxOCLKIN-
9	RxOCLKIN+	10	RxOIN3-
11	RxOIN3+	12	RxEIN0-
13	RxEIN0+	14	VSS
15	RxEIN1-	16	RxEIN1+
17	VSS	18	RxEIN2-
19	RxEIN2+	20	RxECLKIN-
21	RxECLKIN+	22	RxEIN3-
23	RxEIN3+	24	VSS
25	VSS	26	NC
27	VSS	28	VCC
29	VCC	30	VCC

7.2 Backlight Unit

Physical interface is described as for the connector on module. These connectors are capable of accommodating the following signals and will be following components.

Connector Name / Designation	Lamp Connector / Backlight lamp
Manufacturer	JST
Type Part Number	BHSR-02VS-1
Mating Type Part Number	SM02B-BHSS-1-TB

7.2.1 Signal for Lamp connector

	Connector No.	Pin No.	Input	Color	Function
Upper	CN1	1	Hot1	Pink	High Voltage
		2	Cold1	Black	Low Voltage
	CN2	1	Hot2	Blue	High Voltage
		2	Cold2	White	Low Voltage

	Connector No.	Pin No.	Input	Color	Function
Lower	CN3	1	Hot1	Pink	High Voltage
		2	Cold1	Black	Low Voltage
	CN4	1	Hot2	Blue	High Voltage
		2	Cold2	White	Low Voltage

8. Reliability Test

Environment test conditions are listed as following table.

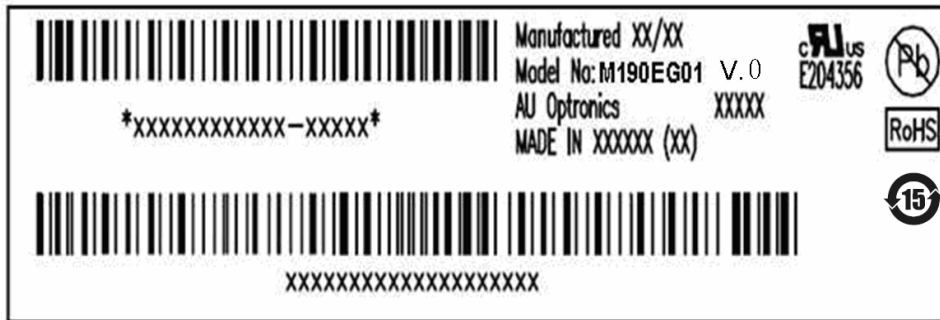
Items	Required Condition	Note
Temperature Humidity Bias (THB)	Ta= 50°C, 80%RH, 300hours	
High Temperature Operation (HTO)	Ta= 50°C, 50%RH, 300hours	
Low Temperature Operation (LTO)	Ta= 0°C, 300hours	
High Temperature Storage (HTS)	Ta= 60°C, 300hours	
Low Temperature Storage (LTS)	Ta= -20°C, 300hours	
Vibration Test (Non-operation)	Acceleration: 1.5 G Wave: Random Frequency: 10 - 200 - 10 Hz Sweep: 30 Minutes each Axis (X, Y, Z)	
Shock Test (Non-operation)	Acceleration: 50 G Wave: Half-sine Active Time: 20 ms Direction: ±X, ±Y, ±Z (one time for each Axis)	
Drop Test	Height: 60 cm, package test	
Thermal Shock Test (TST)	-20°C/30min, 60°C/30min, 100 cycles	1
On/Off Test	On/10sec, Off/10sec, 30,000 cycles	
ESD (ElectroStatic Discharge)	Contact Discharge: ± 8KV, 150pF(330Ω) 1sec, 8 points, 25 times/ point.	2
	Air Discharge: ± 15KV, 150pF(330Ω) 1sec 8 points, 25 times/ point.	
Altitude Test	Operation:10,000 ft Non-Operation:30,000 ft	

Note 1: The TFT-LCD module will not sustain damage after being subjected to 100 cycles of rapid temperature change. A cycle of rapid temperature change consists of varying the temperature from -20°C to 60°C, and back again. Power is not applied during the test. After temperature cycling, the unit is placed in normal room ambient for at least 4 hours before power on.

Note 2: According to EN61000-4-2 , ESD class B: Some performance degradation allowed. No data lost. Self-recoverable. No hardware failures.

9. Shipping Label

The shipping label format is shown as below.





Data Modul Headquarters Munich
Landsberger-Str. 322
D-80687 Munich - Germany
Tel.: +49-89-56017-0



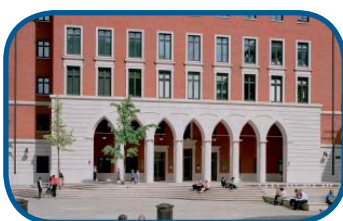
Sales Office Berlin
berlin@data-modul.com
Germany
Tel.: +49-033397/67909



Sales Office Stuttgart
Friedrich-List-Str. 42
70771 Leinfelden-Echterdingen
Germany
Tel.: +49-711-782385-0



Data Modul France, S.A.R.L.
Bat B - Hall 204
1-3 Rue des Campanules
77185 Lognes - France
Tel.: +33-1-60378100



Data Modul Italia, S.r.l.
Regus Center Senigallia
Via Senigallia 18/2
20161 Milano - Italy
Tel.: +39-02-64672-509



Data Modul Iberia, S.L.
c/ Adolfo Pérez Esquivel 3
Edificio Las Americas III Oficiana 40
28230 Parque Empresarial
Madrid Las Rozas - Spain
Tel.: +34-609 61 80 40



Data Modul Ltd. / UK
3 Brindley Place
Birmingham B 12JB
United Kingdom
Tel.: +44-121-698-8641

Data Modul Inc. / USA
1767-46 Veterans Memorial Highway
Islandia NY 11749
USA
Tel.: +1-877-951-0800